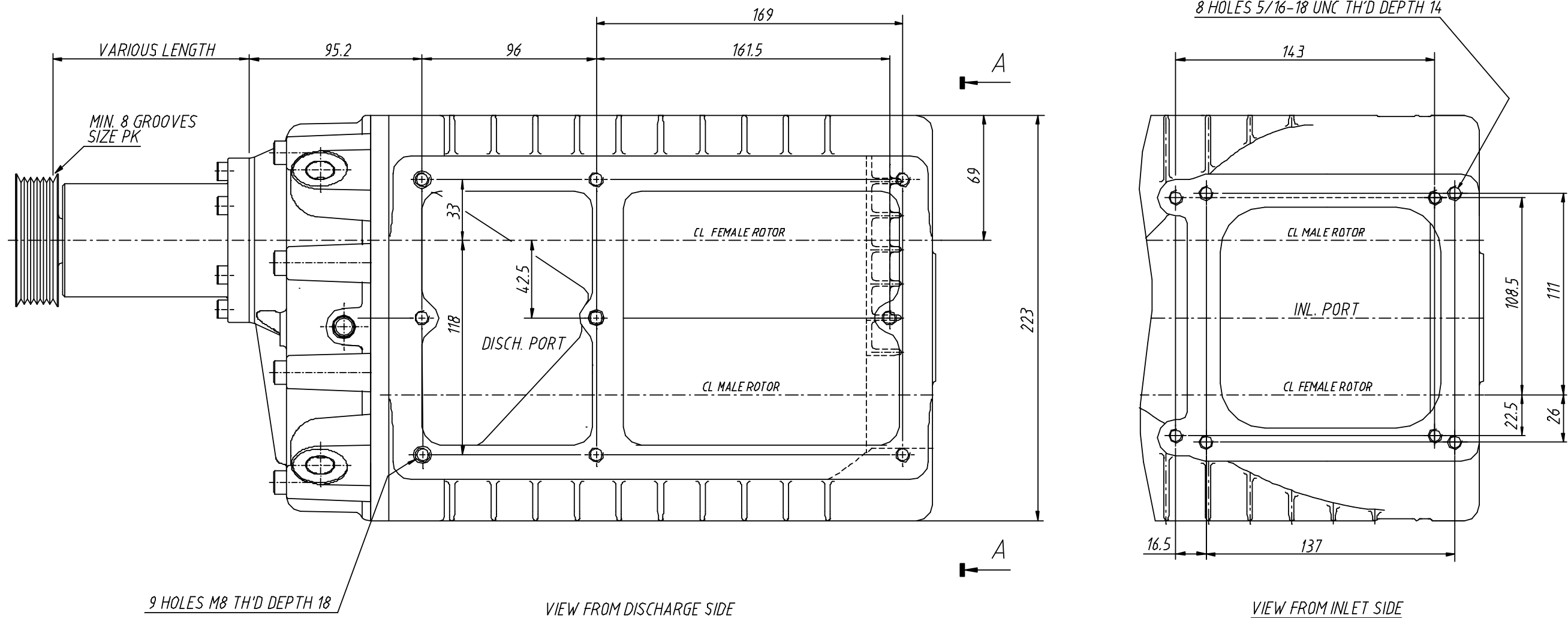


Lysholm Technologies Twin-Screw Supercharger 3300R Dimension Drawing

DISPLACEMENT 3.3 L/REV.
MAX SPEED 11000 RPM CONT.
INTERNAL LUBRICATION SYSTEM OR
CIRCULATING OIL FOR SOME APPLICATIONS.



ALL DIMENSIONS IN METRIC