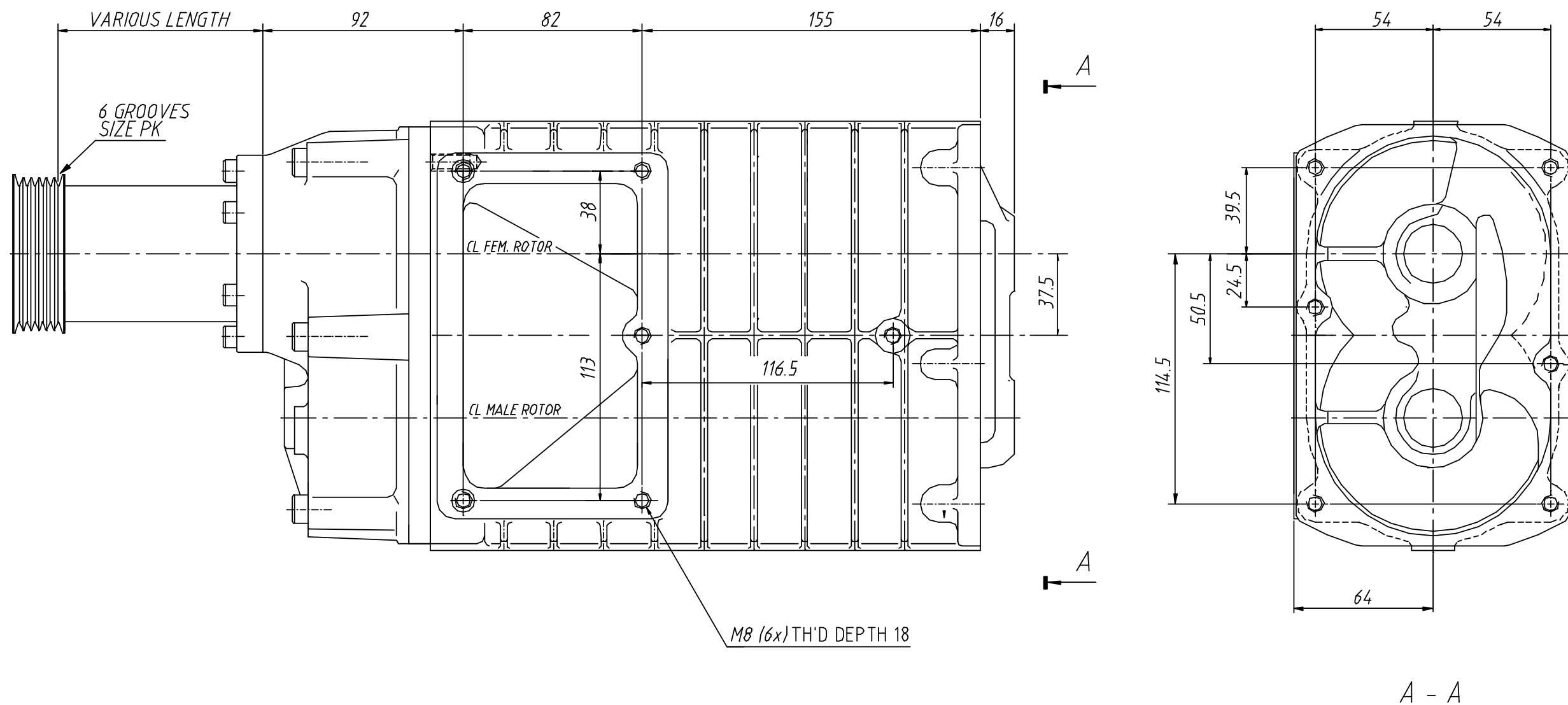


# Lysholm Technologies Twin-Screw Supercharger 2300AX Dimension Drawing

DISPLACEMENT 2.3 L/REV.  
MAX SPEED 13000 RPM CONT.  
INTERNAL LUBRICATION SYSTEM OR  
CIRCULATING OIL FOR SOME APPLICATIONS.



M8 (6x) TH'D DEPTH 18

ALL DIMENSIONS IN METRIC